

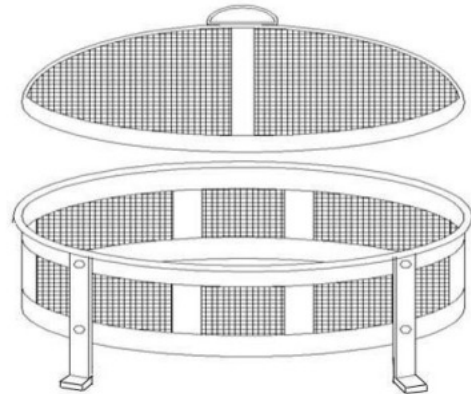
Outdoor Round Bravo Mesh Fire Pit with Screen & Vinyl Cover

Model FB-6540

Owner's Manual

IMPORTANT SAFETY INSTRUCTIONS

Please read and follow ALL instructions before assembling or using this product.



- **ALWAYS** use **MESH COVER** when fire is lit.
- **NOT FOR USE BY CHILDREN.**
- The **FIRE TUB** is **HOT!** **DO NOT TOUCH** or allow children near **FIRE TUB** while it is in use.
- **DO NOT** use on wood deck or any other flammable surface.
- **DO NOT** use in the vicinity of flammable objects or indoors.
- Screen Handle will be **HOT** when in use. Use a heat-proof barbecue mitt or poker tool to grasp handle.
- Approved items for burning: wood, self-starting fire logs, paper & charcoal.
- Bowl will not warp from heat, but you may place sand in the bottom, if desired.
- **DO NOT** put on **VINYL COVER** until **FIRE TUB** is completely cooled & embers extinguished.

WARNING! CARBON MONOXIDE HAZARD

Burning charcoal inside can kill you. It gives off carbon monoxide, which has no odor. NEVER burn wood or charcoal inside homes, vehicles or tents.

Copyright © 2006, CobraCo Mfg., Inc. * Lake Zurich, IL 60047

FOR OUTDOOR USE ONLY! FOR OUTDOOR USE ONLY!

Parts Included*:

- A. 1 Handle Ring
- B. 1 Fire Screen Cover
- C. 1 Mesh Steel Fire Bowl
- D. 4 Legs
- E. 12 Allen Screws
- F. 1 Allen Wrench
- G. 13 Nuts
- H. 1 Vinyl Cover

*

Please check enclosed parts shipped with the Fire Tub. If any parts are missing, do not return the item to your retailer. Please contact us first for replacement parts. Please use Email (for quickest response) customerservice@cobra.co.com or call: CobraCo® Manufacturing, Inc. at (847) 726-5800 x37 (Customer Service)



DO NOT allow small children near flame. Hot embers can fly out of the FIRE TUB in windy conditions. Adequate fire extinguishing material should be readily available.



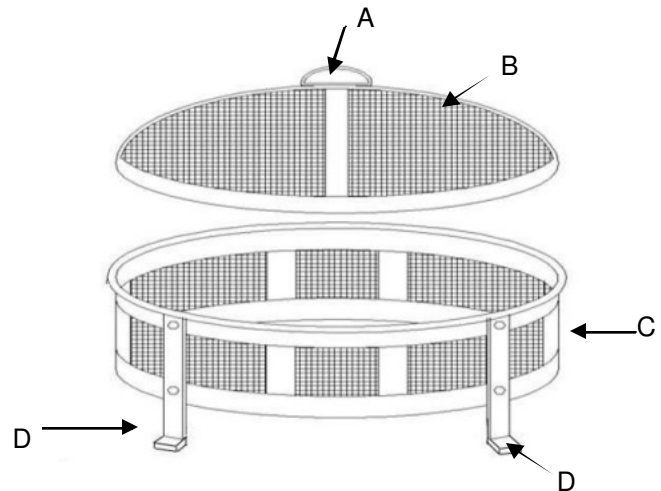
WARNING! DO NOT use this unit on a wood deck or on combustible surfaces such as dry grass, leaves, mulch, etc. **DO NOT** use this unit near heat sensitive or combustible structures such as vinyl or wood siding.



CAUTION! Read and follow all safety statements, Warnings, Assembly Instructions and Use & Care directions before attempting to assemble the unit.



CAUTION! Some parts may contain sharp edges. Wear protective gloves as necessary.



ASSEMBLY INSTRUCTIONS

- Step 1: Assemble Handle (A) to Screen Cover (B) with supplied Nut (G)
- Step 2: Assemble 4 Legs (D) to Mesh Steel Fire Bowl (C) with supplied Allen Screws (E)
- Step 3: Assemble the Screen Cover (B) on the top of the Steel Fire Bowl (C)

NOTE: Your FIRE TUB is made of cast metal, you may find roughness on the surface and the design. This “one of a kind” look enhances the beauty of the product and is not a defect.

NOTE: Finish will never look the same after burning.

NOTE: Add at least 1” of sand to the bottom of the Fire Tub. This will distribute the heat more evenly.